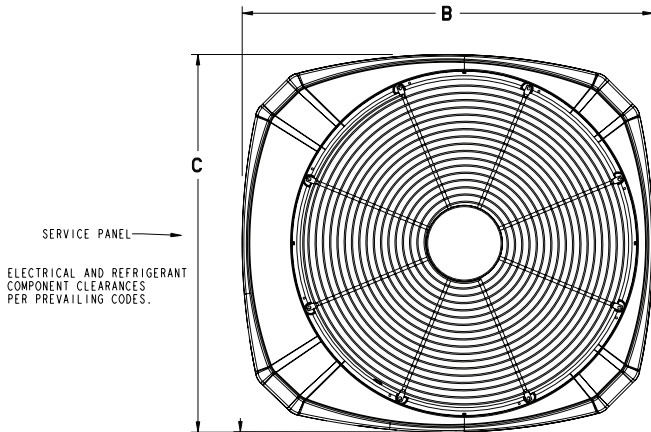


TAG: \_\_\_\_\_

# SUBMITTAL

## 3 Ton Split System Cooling — 1 Ph 4A7A6036E

NOTE: All dimensions are in mm/inches.



SERVICE PANEL  
ELECTRICAL AND REFRIGERANT  
COMPONENT CLEARANCES  
PER PREVAILING CODES.

TOP DISCHARGE AREA SHOULD BE  
UNRESTRICTED FOR AT LEAST 1524 (5 FEET)  
ABOVE UNIT. UNIT SHOULD BE PLACED SO ROOF  
RUN-OFF WATER DOES NOT POUR DIRECTLY ON UNIT,  
AND SHOULD BE AT LEAST 305 (12") FROM WALL AND  
ALL SURROUNDING SHRUBBERY ON TWO SIDES.  
OTHER TWO SIDES UNRESTRICTED.

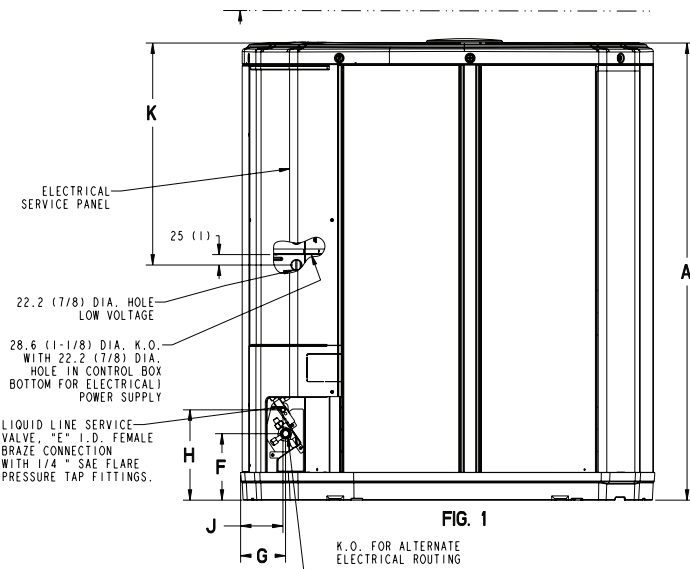


FIG. 1

K.O. FOR ALTERNATE  
ELECTRICAL ROUTING  
GAS LINE 1/4 TURN BALL SERVICE VALVE, "D"  
I.D. FEMALE BRAZED CONNECTION WITH 1/4 SAE  
FLARE PRESSURE TAP FITTING. From Dwg. D152862 Rev. 26

MODELS	BASE	A	B	C	D	E	F	G	H	J	K
4A7A6036E	4	1147 (45-1/8)	946 (37-1/4)	870 (34-1/4)	3/4	3/8	152 (6)	98 (3-7/8)	219 (8-5/8)	86 (3-3/8)	831 (32)

### Product Specifications

OUTDOOR UNIT ①②	4A7A6036E1000A
POWER CONNS. — V/PH/HZ ③	230/1/60
MIN. BRCH. CIR. AMPACITY	22
BR. CIR. PROT. RTG. — MAX. (AMPS)	35
<b>COMPRESSOR</b>	DURATION™ - SCROLL
NO. USED - NO. STAGES	1 - 2
VOLTS/PH/HZ	230/1/60
R.L. AMPS ⑦ - L.R. AMPS	16.7 - 82
FACTORY INSTALLED	
START COMPONENTS ⑧	NO
INSULATION/SOUND BLANKET	NO
COMPRESSOR HEAT	NO
<b>OUTDOOR FAN</b>	PROPELLER
DIA. (IN.) - NO. USED	27.6 - 1
TYPE DRIVE - NO. SPEEDS	DIRECT - 1
CFM @ 0.0 IN. W.G. ④	3700
NO. MOTORS - HP	1 - 1/8
MOTOR SPEED R.P.M.	835
VOLTS/PH/HZ	200/230/1/60
F.L. AMPS	0.70
<b>OUTDOOR COIL — TYPE</b>	SPINE FIN™
ROWS - F.P.I.	1 - 24
FACE AREA (SQ. FT.)	30.79
TUBE SIZE (IN.)	3/8
<b>REFRIGERANT</b>	R-410A
LBS. — R-410A (O.D. UNIT) ⑤	9 LBS.- 13 OZ.
FACTORY SUPPLIED	YES
LINE SIZE - IN. O.D. GAS ⑥	3/4
LINE SIZE - IN. O.D. LIQ. ⑥	3/8
<b>CHARGING SPECIFICATION</b>	9°F
SUBCOOLING	
<b>DIMENSIONS</b>	H X W X D
CRATED (IN.)	51.0 X 35.1 X 38.7
<b>WEIGHT</b>	
SHIPPING (LBS.)	283
NET (LBS.)	245

① Certified in accordance with the Air-Source Unitary Air-conditioner Equipment certification program, which is based on ARI standard 210/240. In order to achieve ARI standard rating, the indoor fan time delay on the comfort control must be enabled.

② Rated in accordance with ARI standard 270.

③ Calculated in accordance with Natl. Elec. Codes. Use only HACR circuit breakers or fuses.

④ Standard Air — Dry Coil — Outdoor

⑤ This value approximate. For more precise value see unit nameplate.

⑥ Max. linear length 60 ft.; Max. lift - Suction 25 ft.; Max. lift - Liquid 25 ft. For greater length consult refrigerant piping software Pub. No. 32-3312-0\* (\* denotes latest revision).

⑦ This value shown for compressor RLA on the unit nameplate and on this specification sheet is used to compute minimum branch circuit ampacity and max. fuse size. The value shown is the branch circuit selection current.

⑧ No means no start components. Yes means quick start kit components. PTC means positive temperature coefficient starter.

### A-weighted Sound Power Level [dB(A)]

MODEL	SOUND POWER LEVEL [dB(A)]	A-WEIGHTED FULL OCTAVE SOUND POWER LEVEL dB - [dB(A)]							
		63	125	250	500	1000	2000	4000	8000
4A7A6036E	72	38	50.4	56.8	60.4	59.8	57.2	55.2	49.2

Note: Rated in accordance with AHRI Standard 270-2008

# Mechanical Specification Options

## General

The 4A7A6 is fully charged from the factory for matched indoor section and up to 15 feet of piping. This unit is designed to operate at outdoor ambient temperatures as high as 115°F. Cooling capacities are matched with a wide selection of air handlers and furnace coils that are A.R.I. certified. The unit shall be certified to UL 1995. Exterior is designed for outdoor application.

## Casing

Unit casing is constructed of heavy gauge, G60 galvanized steel and painted with a weather-resistant powder paint on all louvers and panels. Corrosion and weatherproof CMBP-G30 DuraBase™ base.

## Refrigerant Controls

Refrigeration system controls include condenser fan, compressor contactor and high pressure switch. High and low pressure controls are inherent to the compressor. A factory installed liquid line drier is standard.

## Compressor

The Duration® 2-stage compressor features internal over temperature and pressure protection and hermetic motor. Other features include: roto lock suction and discharge refrigerant connections, centrifugal oil pump and modular plugs for electrical connections.

## Condenser Coil

The outdoor coil provides low airflow resistance and efficient heat transfer. The coil is protected on all four sides by louvered panels.

## Low Ambient Cooling

As manufactured, this unit has a cooling capability to 55°F. For low ambient cooling below 55° see Application Guide APP-APG014-EN.



ARI Standard  
210/240 UAC



*American Standard*  
HEATING & AIR CONDITIONING

American Standard Heating & Air Conditioning  
[www.americanstandardair.com](http://www.americanstandardair.com)

American Standard Heating & Air Conditioning has a policy of continuous product and product data improvement and it reserves the right to change design and specifications without notice.