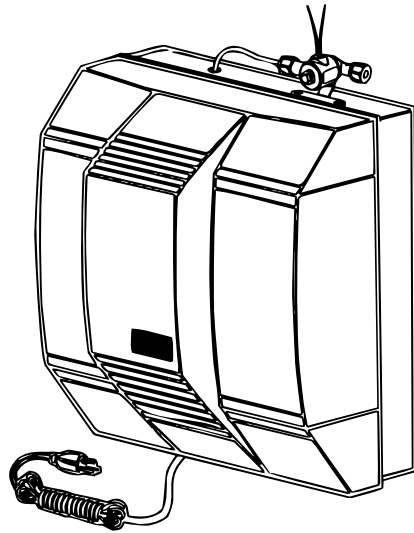
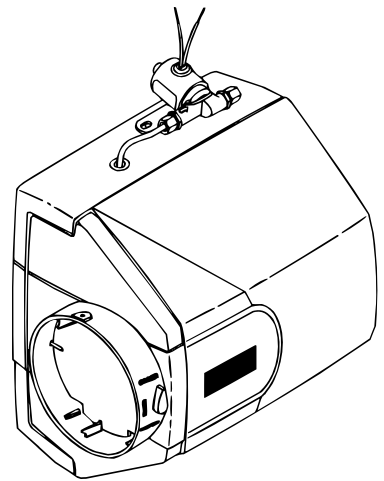


Fan Powered and Bypass Humidifiers

- AHUMD500APA00B - Fan Powered Humidifier**
- AHUMD300ABA00B - Large Bypass Humidifier**
- AHUMD200ABM00B - Small Bypass Humidifier**



AHUMD500A



AHUMD200A/300A

Features and Benefits

Features: AHUMD500A

- Flow Through Fan Powered Humidifier
- High Performance Humidifier Delivers up to 18 Gallons per Day
- Humidifies an Average Home of up to 2100 SqFt
- Automatic Humidifier Control with O.D. Sensor for up to 50% more Humidity
- Front Cover Access for easy replacement of humidifier pad.
- Aluminum Humidifier Pad Treated with Ceramic Clay for Enhanced Pad Performance
- Reliable Brass Solenoid Valve w/Stainless Steel Valve Seat
- UV Resistant Cabinet and Scale Control Insert
- Saddle Valve
- Polyslate Gray Housing matches Furnace Cabinet Color
- 120V Power Line Cord

Features: AHUMD200,300A

- AHUMD300A Bypass delivers up to 17 Gallons per day
- AHUMD200A delivers up to 12 Gallons per day.
- AHUMD300A Automatic Humidifier Control and O.D. Sensor for up to 50% more Humidity
- AHUMD200A Manual Humidifier Control
- UV Resistant Cabinet and Scale Control Insert
- Front Cover Access for easy replacement of humidifier pad.
- Aluminum Humidifier Pad Treated with Ceramic Clay for Enhanced Pad Performance
- Reliable Brass Solenoid Valve w/Stainless Steel Valve Seat
- Field Convertible Duct Connection, Left or Right Side
- Built in Summer / Winter Damper
- Saddle Valve
- Polyslate Gray Housing matches Furnace Cabinet Color
- 24/120V Transformer

Optional Equipment

OPTIONAL EQUIPMENT FOR HUMIDIFIERS

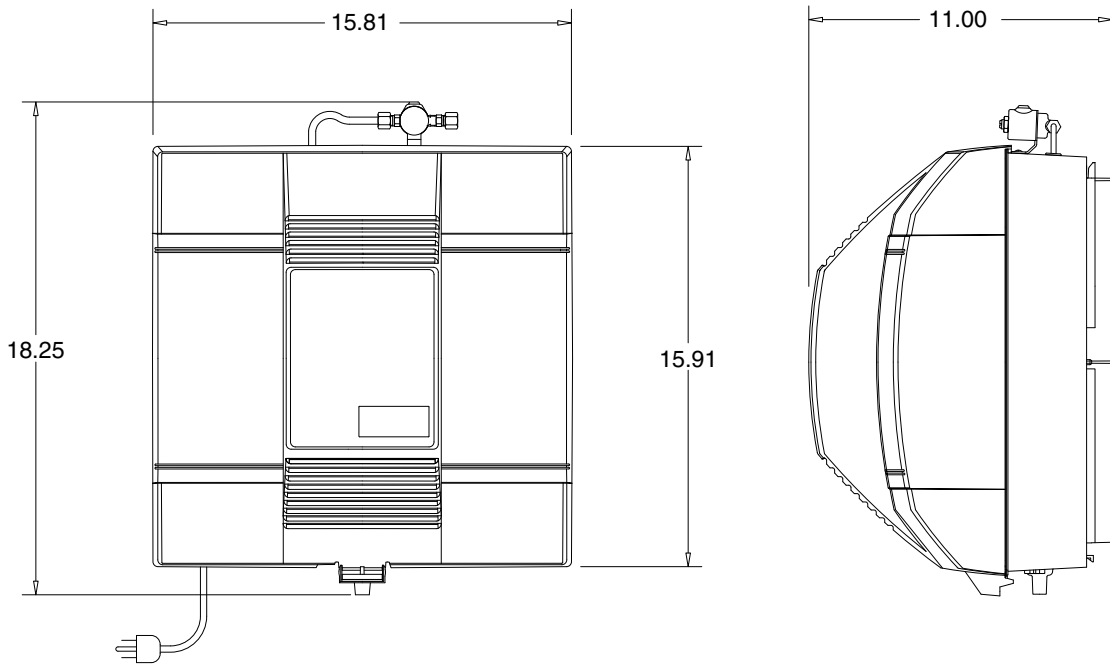
Large Humidifier Pad 13"x10"	BAYPAD02A1310A ^④ []
Small Humidifier Pad 9-7/8"x9-5/8"	BAYPAD01A1010A ^④ []
Automatic Humidifier Control	ACONTH01AAUTOA []
Current Sensing Relay	BAYRLY10ASENSA []
Adapter Plate (Duct Mount)	BAYPLT01AMHCOA []

^④ Packaged 10 per carton.

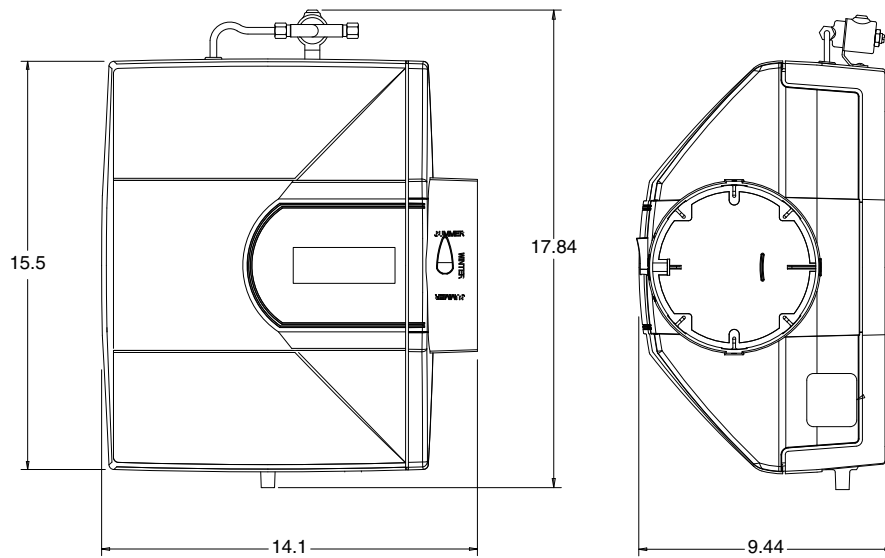
General Data

MODEL	AHUMD500PA00B	AHUMD300ABA00B	AHUMD200ABA00B
RATED VOLTS/PH/Hz	120/1/60	24/1/60	24/1/60
RATE GALLONS / DAY	18	17	12
Water Feed Rate (Gal/hr)	6	6	3
AIRFLOW	Fan	Bypass	Bypass
Water Flow	Drain	Drain	Drain
120 V LINE CORD	Yes	N/A	N/A
Min. Brch. Cir. Ampacity	10	N/A	N/A
LOW VOLTAGE 24V 60 Hz			
Amps	.1	0.50	0.50
VA(Max)	2.4	12	12
Watts	2.4	6	6
CONNECTIONS			
Water (Potable) inlet	1/4-in Copper Tubing	1/4-in Copper Tubing	1/4-in Copper Tubing
Water Drain	1/2-in plastic hose	1/2-in plastic hose	1/2-in plastic hose
Bypass Opening (Duct)	N/A	6 in round	6 in round
DIMENSIONS			
Crated (in.)	18.4 x 17.2 x 13.5	18.7 x 15.0 x 11.5	15.8 x 15.2 x 11.5
Uncrated (in.) H x W x D	18.3 x 15.8 x 11.0	17.8 x 14.1 x 9.4	14.9 x 13.8 x 9.4
Duct Opening W x H	14-3/16 x 14-7/8	12.5 x 9.75	9-1/2 x 9-3/8
WEIGHT			
Shipping (lbs.) / Net (lbs.)	20 / 17	15 / 12	14 / 11
STANDARD EQUIPMENT (included)			
Humidistat	Automatic Humidifier Control 24 V	Automatic Humidifier Control 24 V	Manual Humidifier Control 24 V
Transformer	N/A	120V / 24V 12 VA	120V / 24V 12 VA
Water Valve	Solenoid, 24 VAC	Solenoid, 24 VAC	Solenoid, 24 VAC
Fan Motor	1/70 HP 120 VAC	N/A	N/A
Relay	SPST 24 VAC	N/A	N/A
Saddle Valve	Included	Included	Included
Damper (Summer / Winter)	N/A	Included	Included
ACCESSORIES (not included)			
Humidifier Pad Model No.	BAYPAD02A1310A	BAYPAD02A1310A	BAYPAD01A1010A
Size in.	13 x 10 x 1-11/16	13 x 10 x 1-11/16	9-7/8 x 9-5/8 x 1-11/16
Automatic Humidifier Control	Included	Included	ACONTH01AUTOA
Current Sensing Relay	BAYRLY10ASENSA	BAYRLY10ASENSA	BAYRLY10ASENSA
Duct Plate for Manual Humidifier Control	N/A	N/A	BAYPLT01AMHC0A

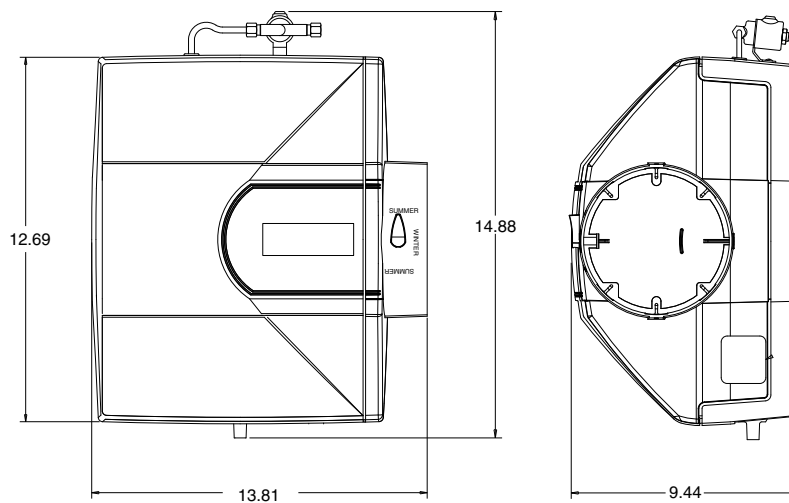
AHUMD500APA00B FAN POWERED HUMIDIFIER



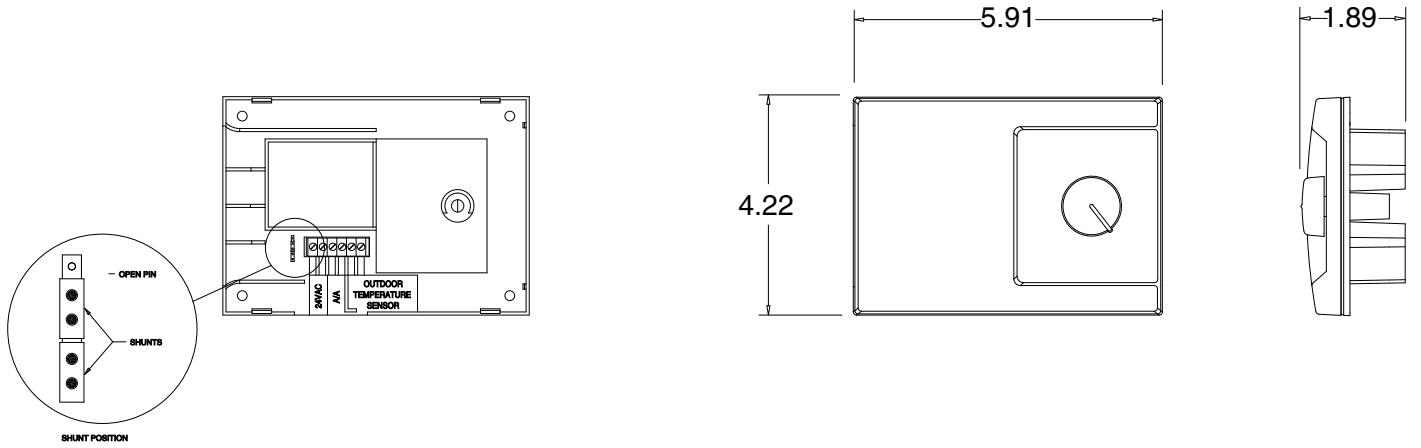
AHUMD300ABA00B LARGE BYPASS HUMIDIFIER



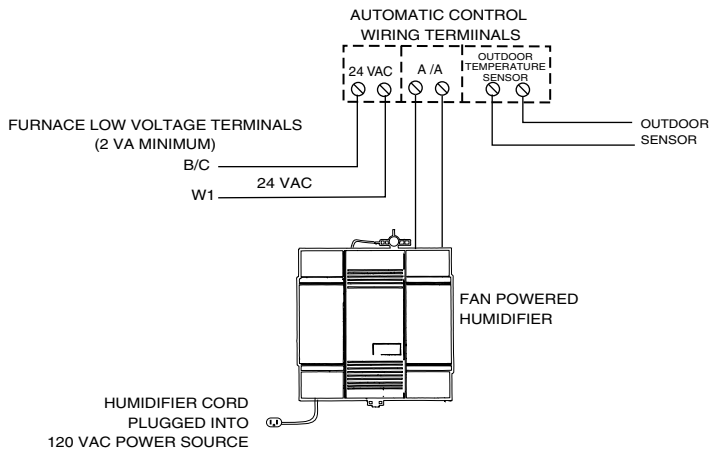
AHUMD200ABM00B SMALL BYPASS HUMIDIFIER



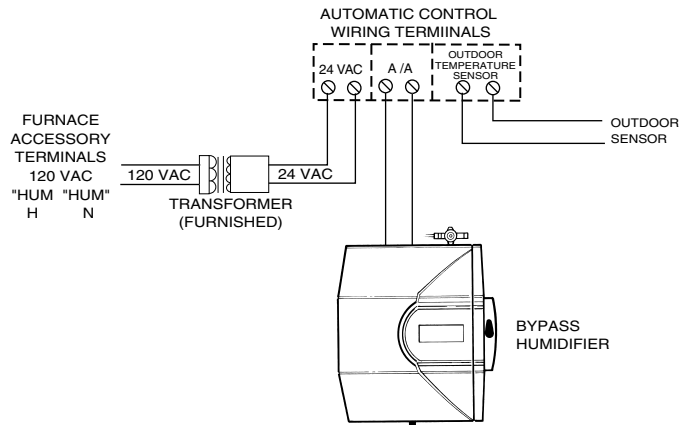
ACONTH01AUTOA AUTOMATIC HUMIDIFIER CONTROL



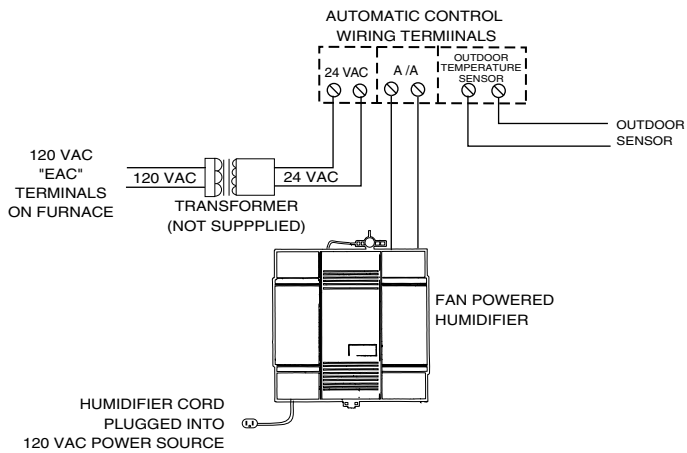
FOR OPERATION DURING "HEATING CALL" ONLY



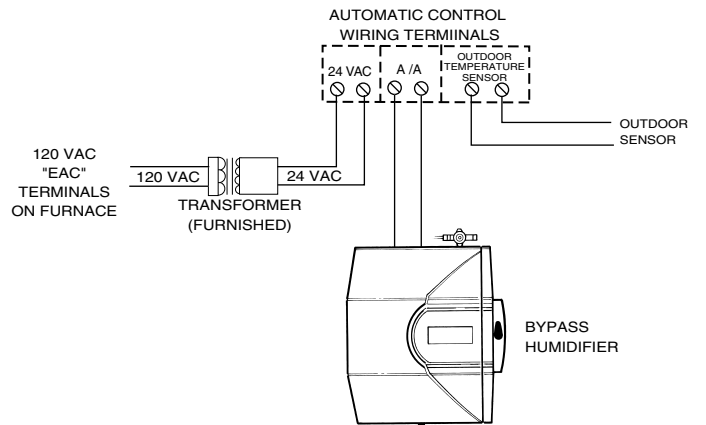
FOR OPERATION DURING "HEAT CALL" ONLY



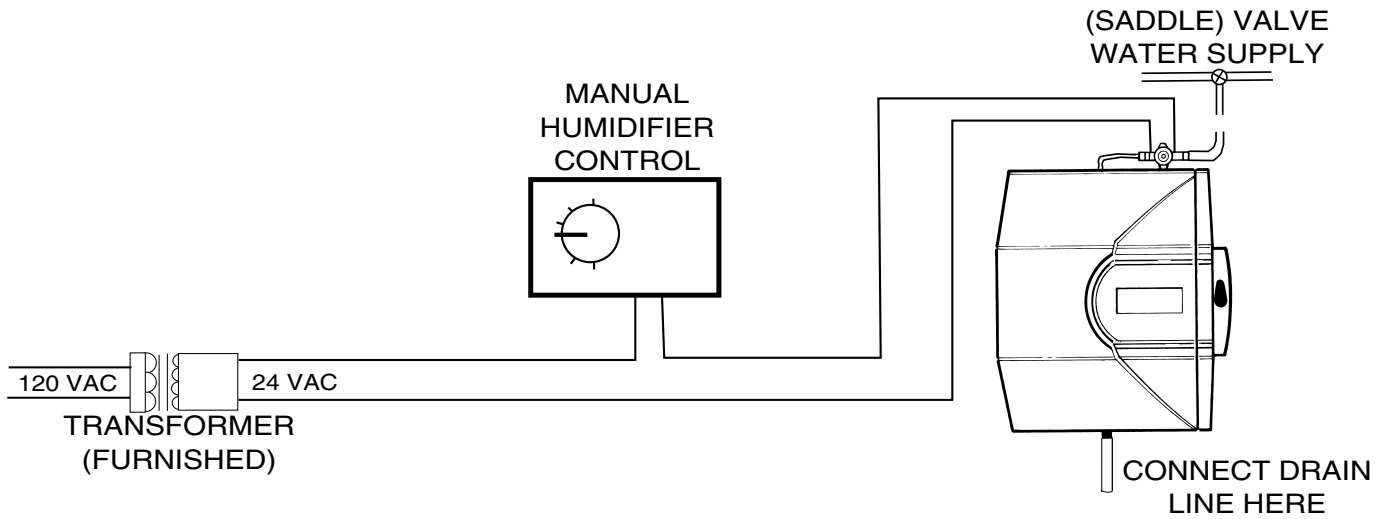
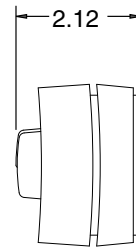
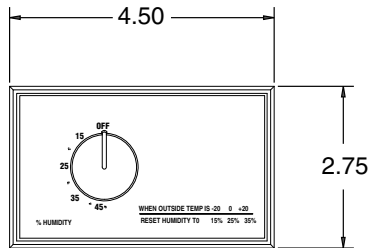
FOR HUMIDIFIER OPERATION WHEN BLOWER IS ENERGIZED



FOR HUMIDIFIER OPERATION WHEN BLOWER IS ENERGIZED

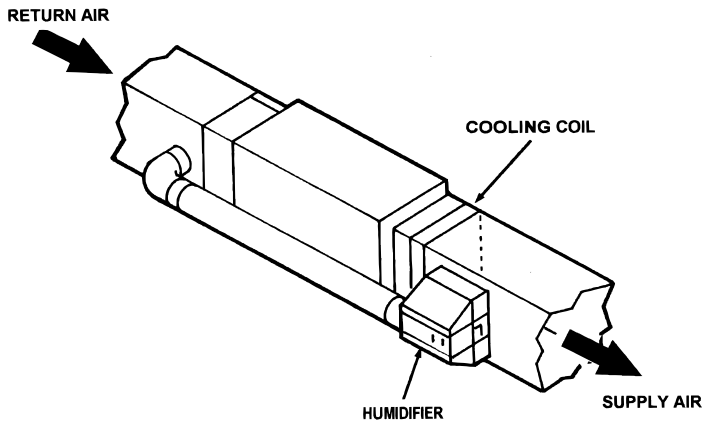


**MANUAL HUMIDIFIER CONTROL
(SHIP With AHUMD200AB00B)**

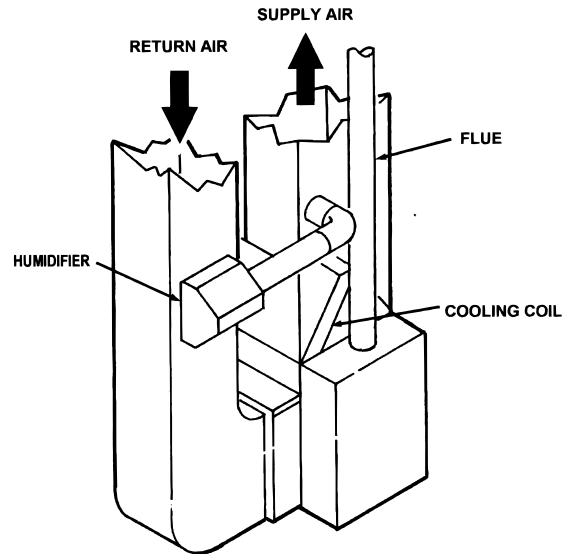


**AHUMD200ABM00B
SMALL BYPASS
HUMIDIFIER**

SUGGESTED BYPASS HUMIDIFIER LOCATIONS

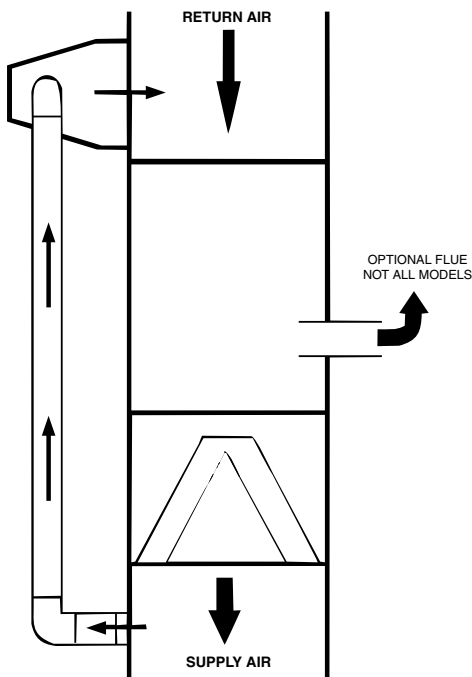


HORIZONTAL FURNACE

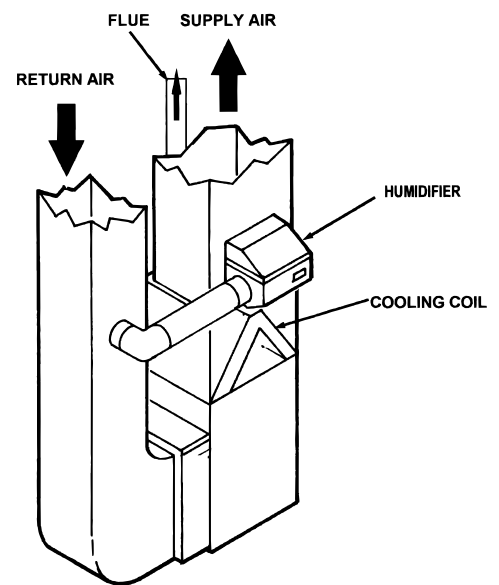


UPFLOW FURNACE

OPTION "B" FRONT OF FURNACE OR FRONT MOUNT



DOWNFLOW FURNACE



UPFLOW FURNACE

OPTION "A" REAR OF FURNACE OR REAR MOUNT

American Standard
HEATING & AIR CONDITIONING

American Standard
Heating & Air Conditioning
6200 Troup Highway
Tyler, TX 75707



Literature Order Number	12-1279-02
File Number	12-1279-02
Supersedes	12-1279-01
Date	05/09

Since **American Standard Heating & Air Conditioning** has a policy of continuous product and product data improvement, it reserves the right to change design and specifications without notice.